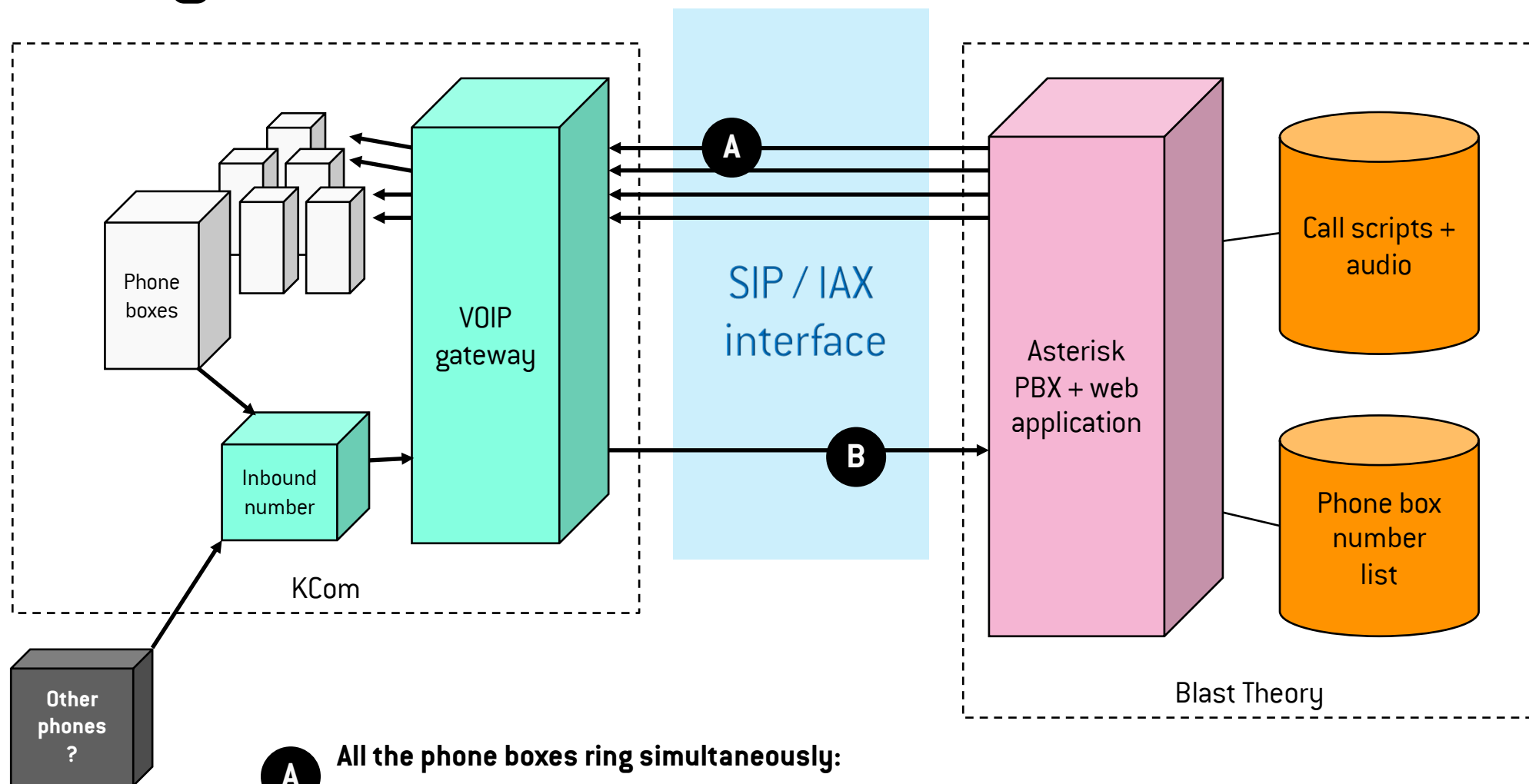


Kcom Integration



- A** **All the phone boxes ring simultaneously:**
Multiple SIP/IAX requests to initiate a call to each phone box on network
- B** **Individual callers phone in:**
Individual SIP/IAX requests are forwarded to Blast Theory's PBX