

LOCATION

The Gold Nose of Green Ginger
Northpoint Shopping Centre
5 Goodhart Road
Bransholme
Hull
HU7 4EE

OPENING TIMES

18th June-18th August 2017
Wednesday to Saturday 10am-5pm
Sunday 10am-4pm
(Closed Monday and Tuesday)
During busy times we may have to limit the number of people who can access the space.

The Nose Guardian, Jade Wasling, and her assistants look after The Gold Nose of Green Ginger. If you have any questions, please feel free to get in touch.

EVENTS CALENDAR

Regular events will be held between June and August 2017. Please check the noticeboard or ask for latest details. If you would like to hold your own event at The Gold Nose of Green Ginger please feel free to make suggestions.

All events are FREE.

Nose Flute Lessons

Wednesdays, 3pm-4pm
Learn how to play the nose flute.
In association with Culture:Music.

Get Creative!

Thursdays, all day, drop-in
A different creative workshop each week.

Lunchtime Concert

Fridays, 1pm-2.15pm
From classic to pop, interrupt your day with some live music.
In association with Jackson's Group.[TBC]

Afternoon Tea

Saturdays, 3pm
Pop in for a cup of tea and a chat.

Storytime

Sundays, 11am-12pm
Aimed at 3-5 year olds and 6-8 year olds on alternate weekends.
In association with One Pound Two Pound Books.

PROCESSION

Saturday 19th August at 11am
The Gold Nose of Green Ginger will be collected by a special guest and handed back to the City of Hull. Please join us to say goodbye. If you like dressing up and want to be more involved in the procession there are plenty of opportunities, so please let us know.

ACCESS

The ground floor spaces of The Gold Nose of Green Ginger are all wheelchair accessible. There are 16 steps to the first floor wish making station.

BSL tours will take place on *date* and *date*.

A touch tour and workshop for blind and partially-sited people will take place on *date* and *time*.

To discuss your access needs, please contact our Access Co-ordinator, Elizabeth Bergeron on 123456789.



THE GOLD NOSE OF GREEN GINGER

THE GOLD NOSE OF GREEN GINGER

2017 marks the 50th anniversary of the Bransholme estate; Lord Mayor Alderman R W Buckle officially opened the first houses on May 1, 1967. In the excavations made to lay the foundations to build the houses, one of the team of builders unearthed a small casket. Prizing open the lid, he discovered a strange, unknown gold object in pristine condition, and so the Gold Nose of Green Ginger, as it has now come to be known, was discovered.

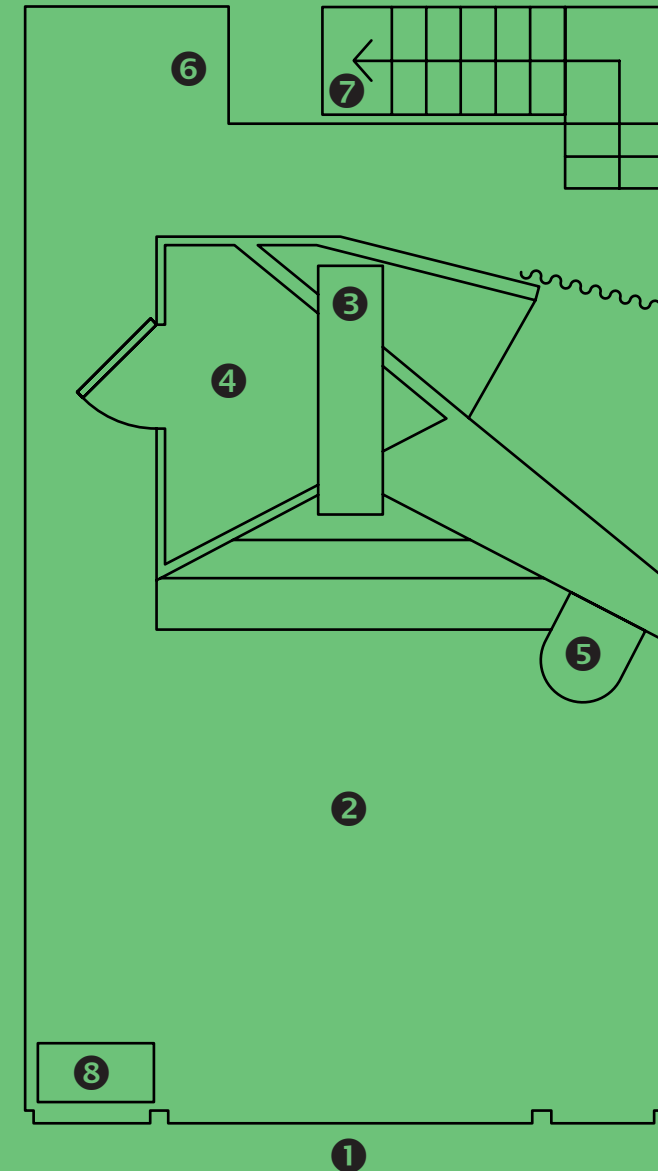
The Gold Nose of Green Ginger looks like a ginger root, roughly in the shape of a wizened, warty nose. It has two 'nostrils' and two braided silk ties which indicate that it was worn, perhaps in some kind of ceremony.

Archaeologists do not know for sure what the object was originally used for, its source, or how it ended up in Bransholme, but laboratory analysis confirms that it is made of real gold. Some believe it was transported to Hull on cargo ships bringing spices from the East. Others tell a story about the wild boar that used to roam around the marshes and forests that now form Bransholme (the name Bransholme comes from the old Scandinavian phrase meaning 'wild boar water meadow'). Wild boar forage for food, and it is said that a one such animal unearthed this gold root. A variation of the story says that the boar had special powers and turned the root gold. Wherever it came from, many believe that The Gold Nose of Green Ginger brings good luck, and by bringing it back to Bransholme we hope to bring luck to the area.

There are societies throughout history where a focus on the human head and the senses have been particularly important. In some respects, The Gold Nose of Green Ginger is similar to the pair of eyes beaten from a sheet of gold that were excavated in 1970 from the Roman city of Wroxeter, Shropshire. The gold eyes are thought to have been a votive offering to the gods from someone seeking a cure for an eye disease; perhaps somewhere in the world there was a similar culture devoted to the nose.

The Gold Nose of Green Ginger will be handed back to the City of Hull for safekeeping in August 2017. Before then, this temporary residence in North Point Shopping Centre allows the people of Bransholme to see it at close quarters.

THE SPACE



❶ Noses of Bransholme

On the lintel above the main door are impressions from the noses of Bransholme residents. If you had your nose cast last year and think that it might be up there, please feel free to ask.

❷ Central Chamber

The central chamber is an adaptable space for social occasions, workshops, and performances. Regular events will be held throughout June, July, and August 2017. You can also see some of the costumes for the opening and closing processions.

❸ Vessel of The Gold Nose of Green Ginger

The Gold Nose of Green Ginger is held in a tubular vessel on a procession staff behind a magnifying lens at the top of a stepped dais. It can also be viewed from behind the dais.

❹ Secret Pocket

To the right of the arched corridor, there is a private chamber for one person at a time to share a secret with The Gold Nose of Green Ginger.

❺ Guardian's Stand

The Nose Guardian can address the audience from this podium.

❻ & ❼ Wish Making

You are invited to make a wish. Write down your hopes and dreams and post them to The Gold Nose of Green Ginger. (All wishes remain confidential and will not be read by any third party.)

❽ Shop

A select choice of souvenirs are available in our shop.