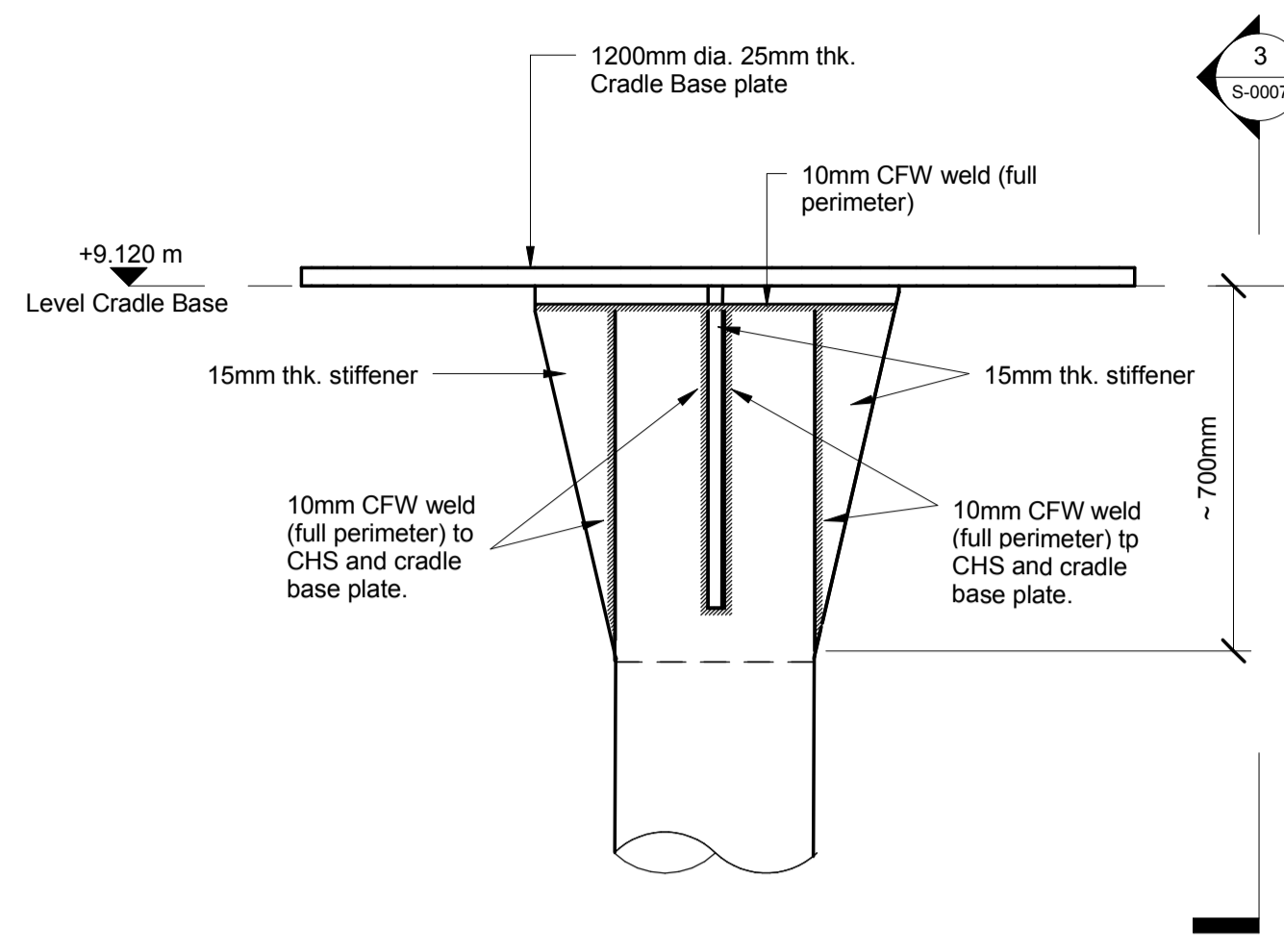
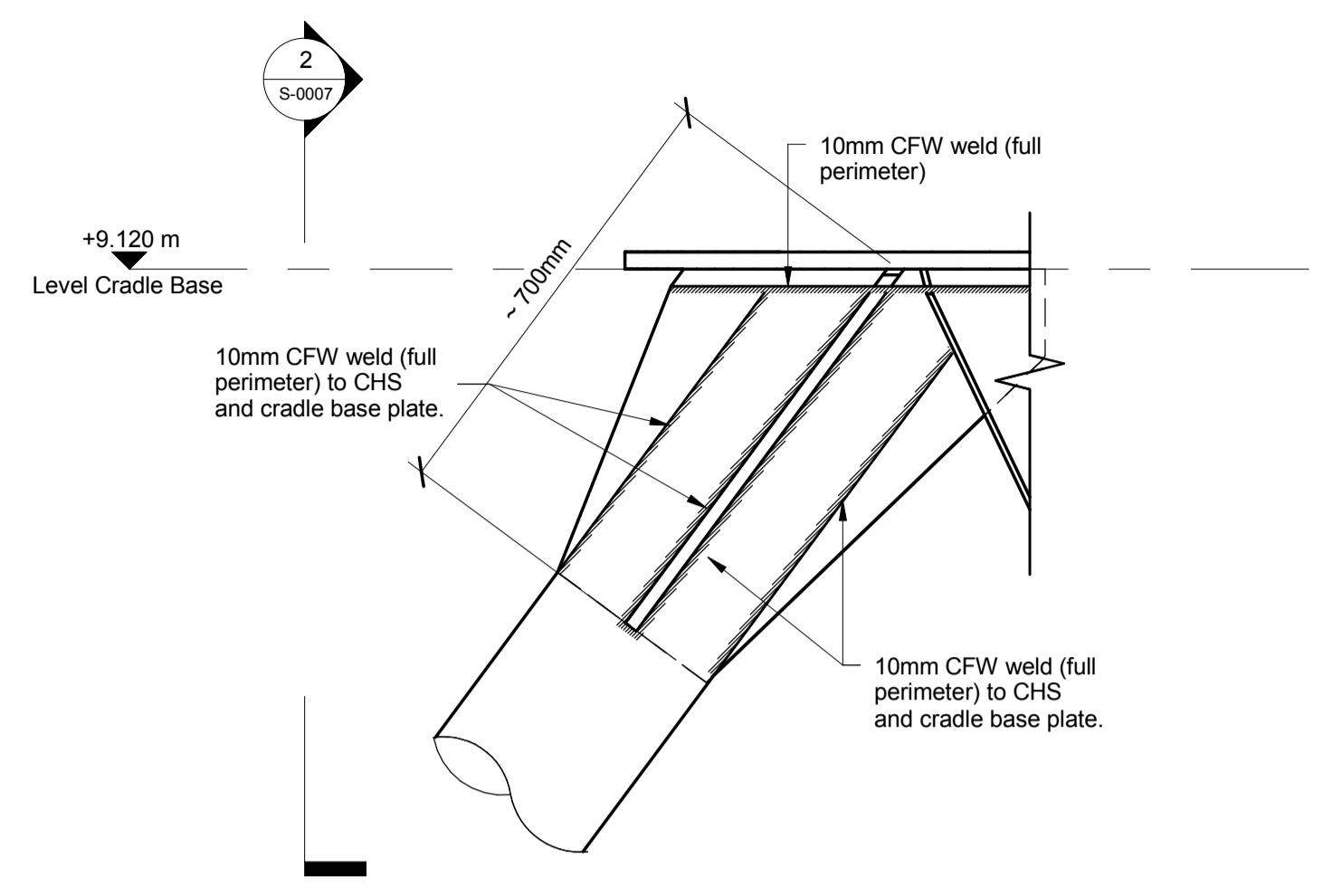


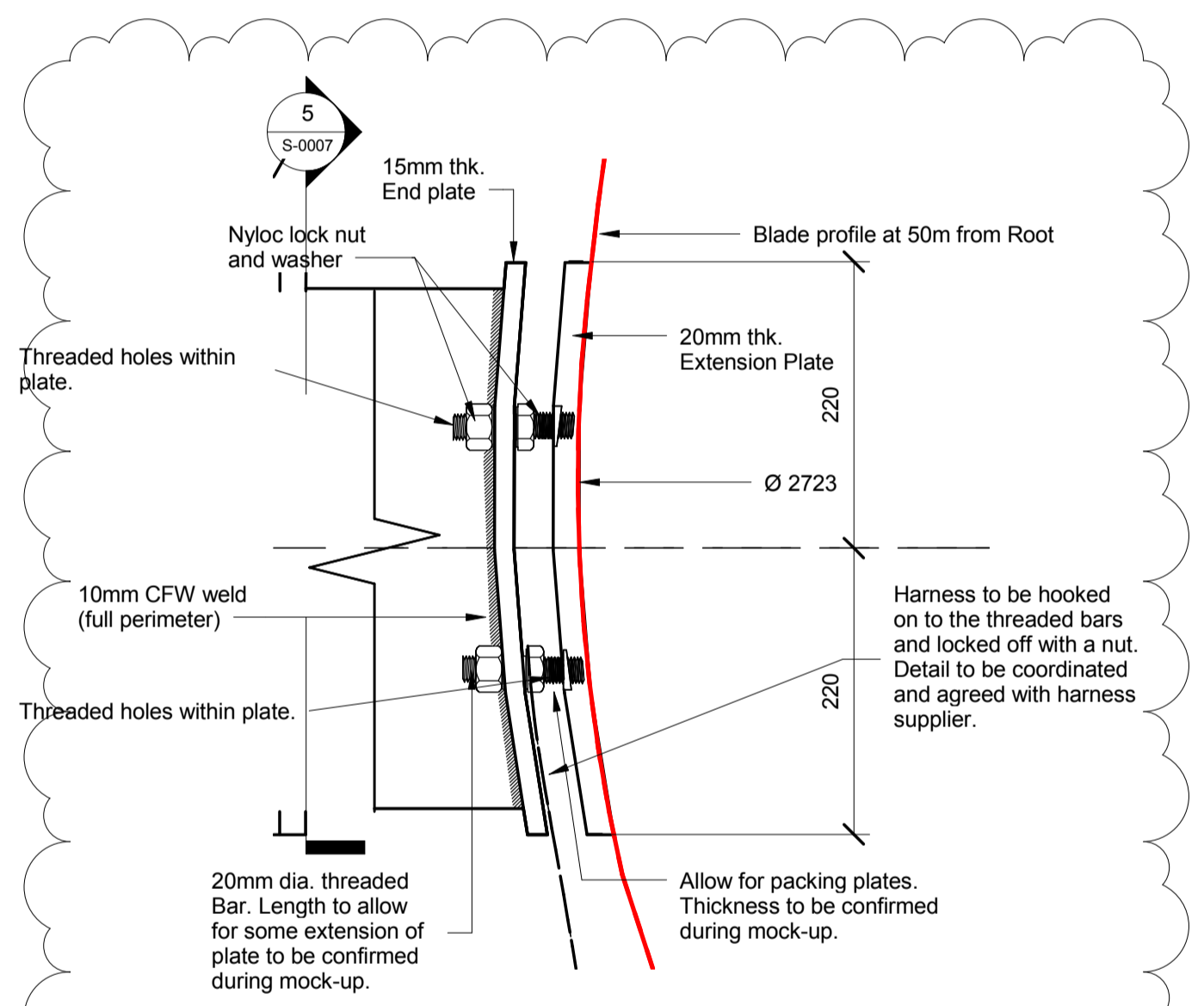
**1 Cradle Base Plate Plan View**  
1 : 20



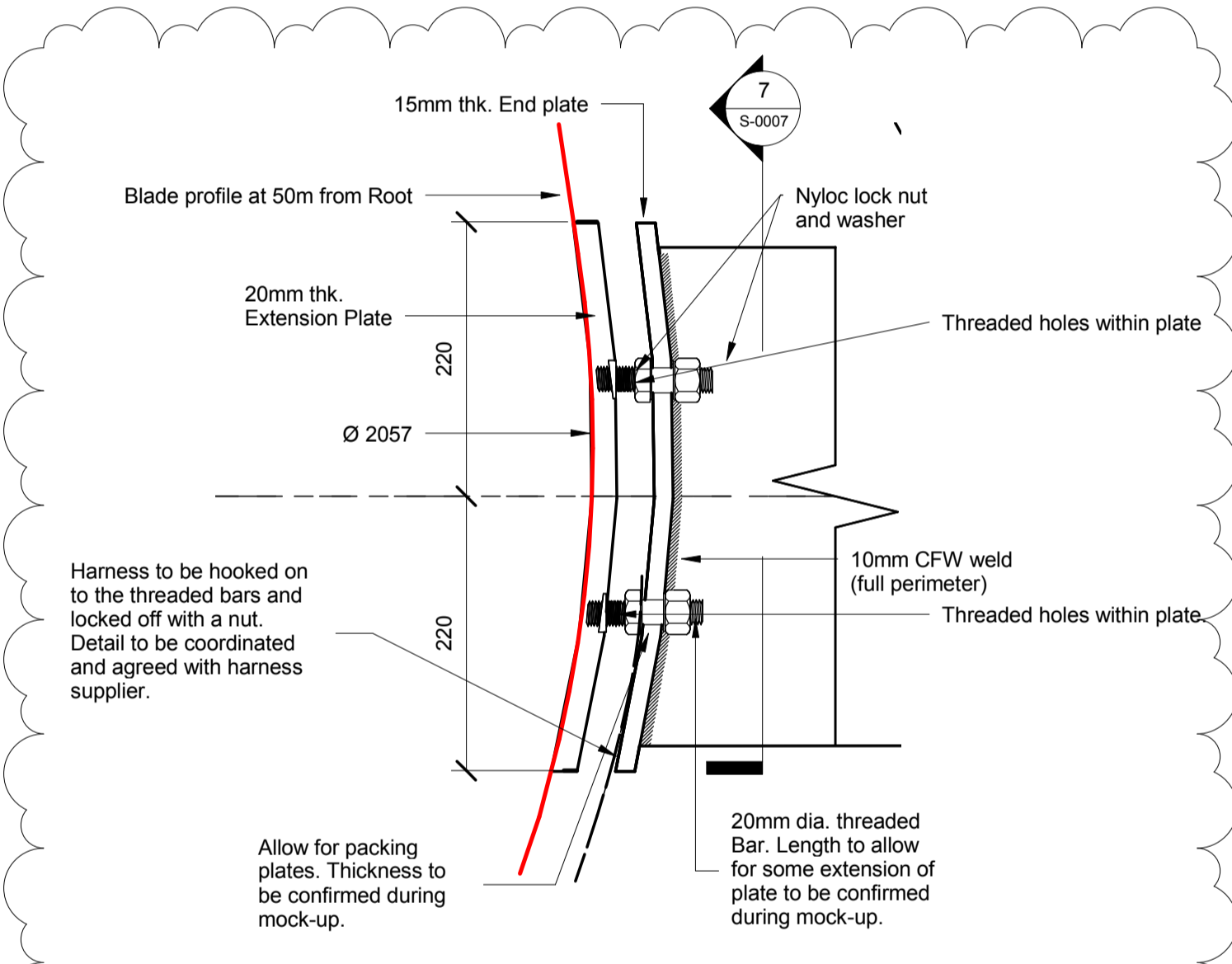
**2 Section A**  
1 : 10



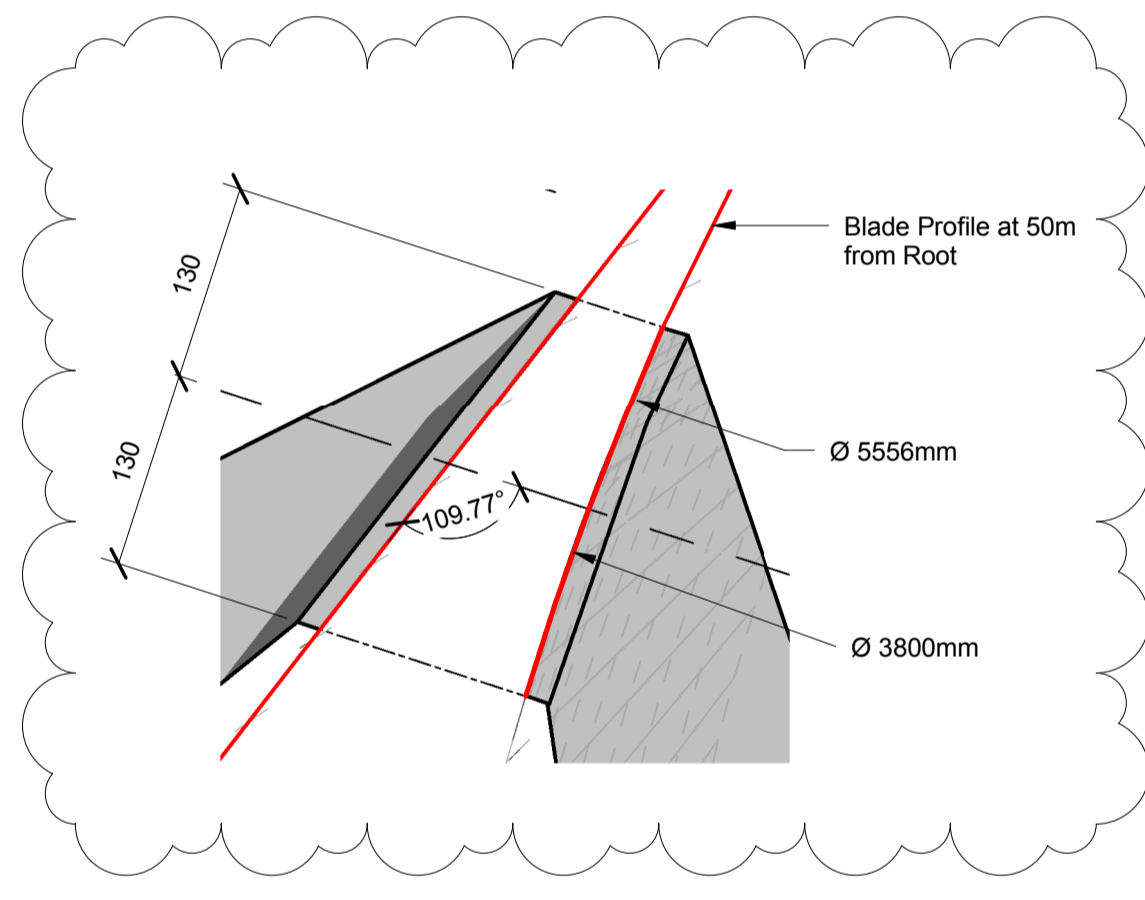
**3 Section B**  
1 : 10



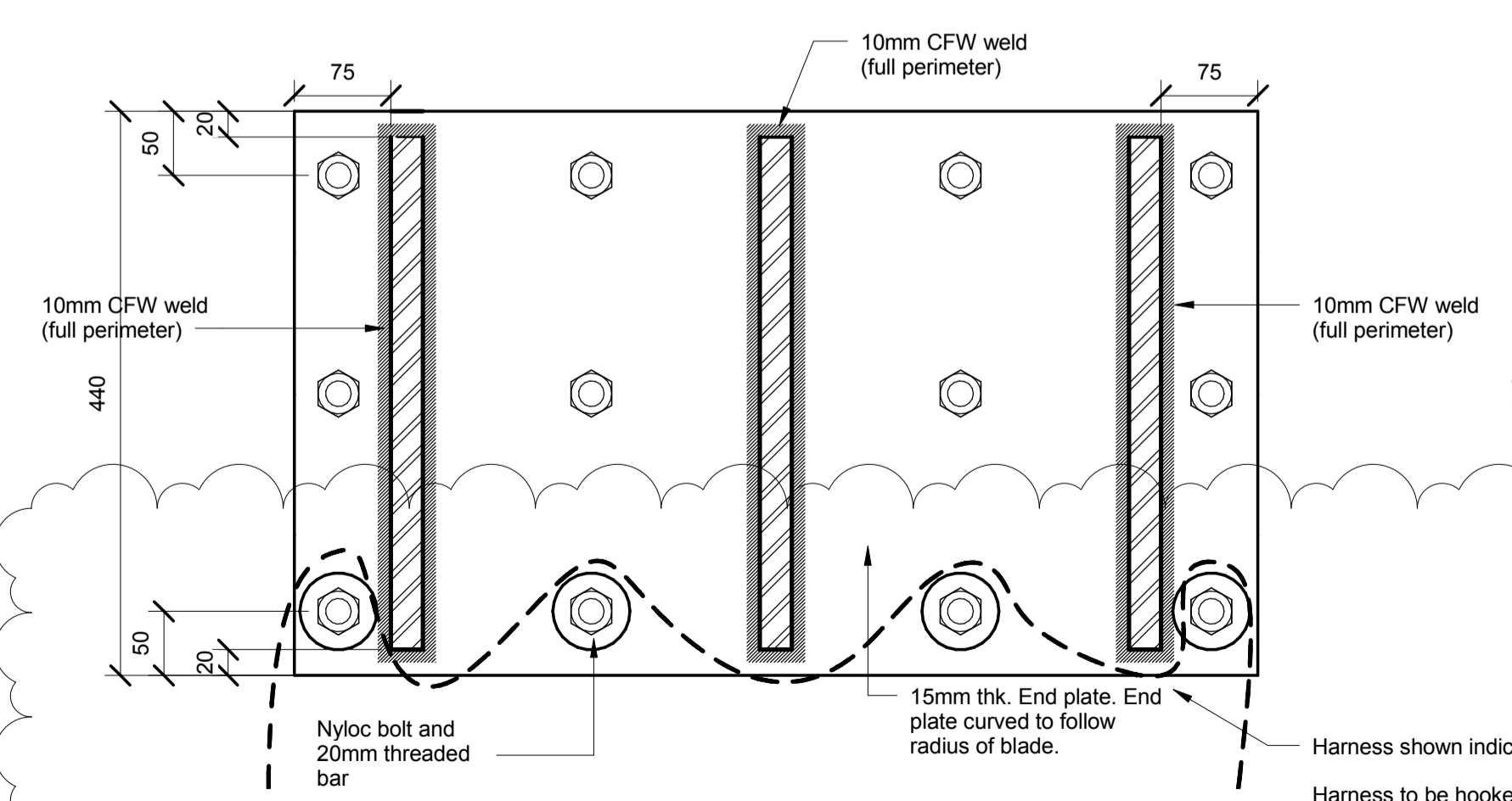
**4 Cradle Extension Plate LHS**  
1 : 5



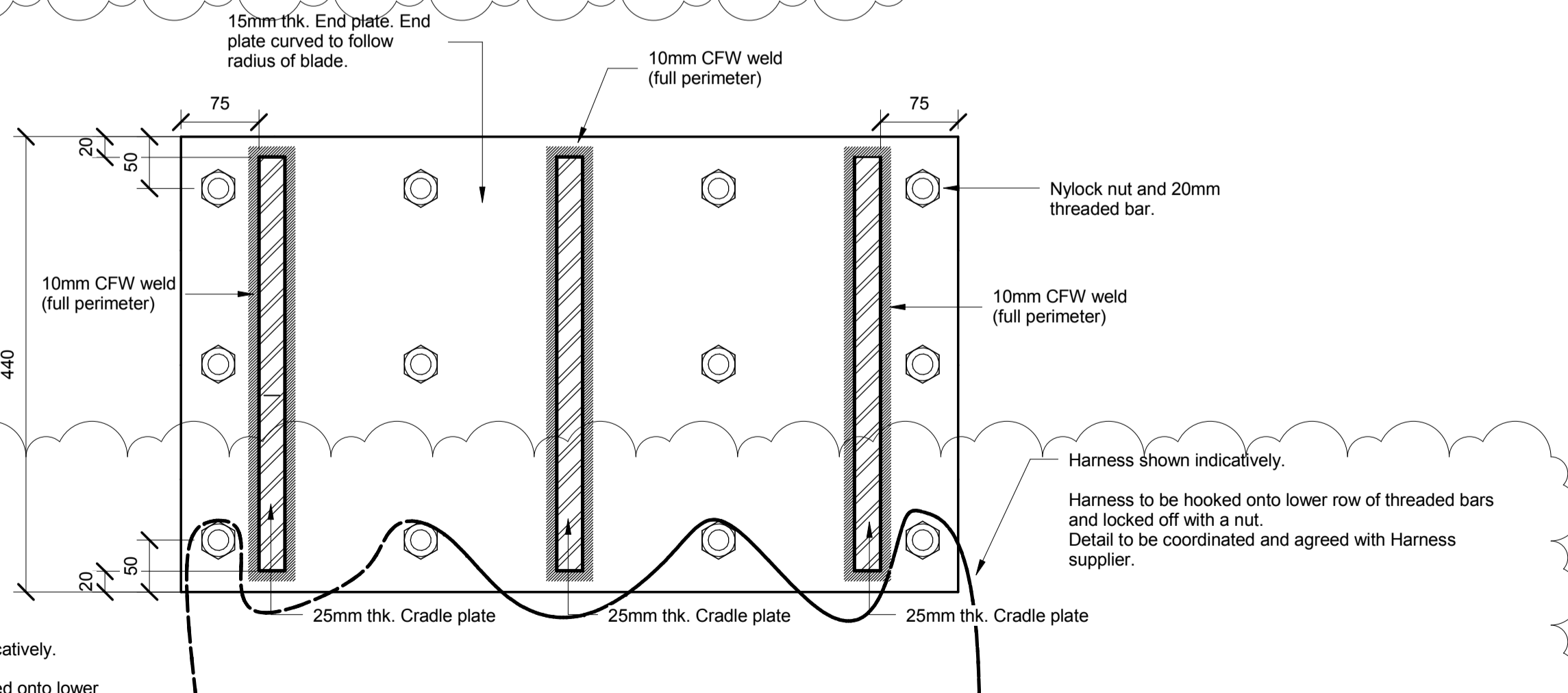
**6 Cradle Extension Plate RHS**  
1 : 5



**8 Cradle Arm End Plates**  
1 : 5



**5 Cradle Extension Plate LHS**  
1 : 5



**7 Cradle Extension Plate RHS**  
1 : 5

- Notes:
1. Refer to General Notes drawing S-0000
  2. All Steel to be hot rolled S355 J0
  3. CHS to CHS connections to be full strength welded connections. Weld to achieve full capacity of section. Full penetration butt welds or similar.
  4. All bolts to be M20 Grade 8.8 unless noted otherwise.
  5. Refer to typical details for weld requirements. No welds to be less than 6mm CFW.

C2	02/12/16	DE	DS	MMcG
Issued for Construction				
C1	30/11/16	DE	DS	MMcG
Issued for Construction				
Rev	Date	By	Chkd	Appd

**ARUP**

Admiral House Rose Wharf  
75 East Street, Leeds, LS9 8EE  
Tel+44(113) 242 8498 Fax+44(113)242 8573  
www.arup.com

Client  
**Hull UK City of Culture 2017**

Project Title  
**Hull Zephyr**

Drawing Title  
**Blade Cradle Sheet 2 of 2**

Scale at A1 As indicated

Role Structural

Suitability Construction

Arup Job No **249697** Rev **C2**

Name **BLADE-ARUP-XX-XX-DR-S-0007**