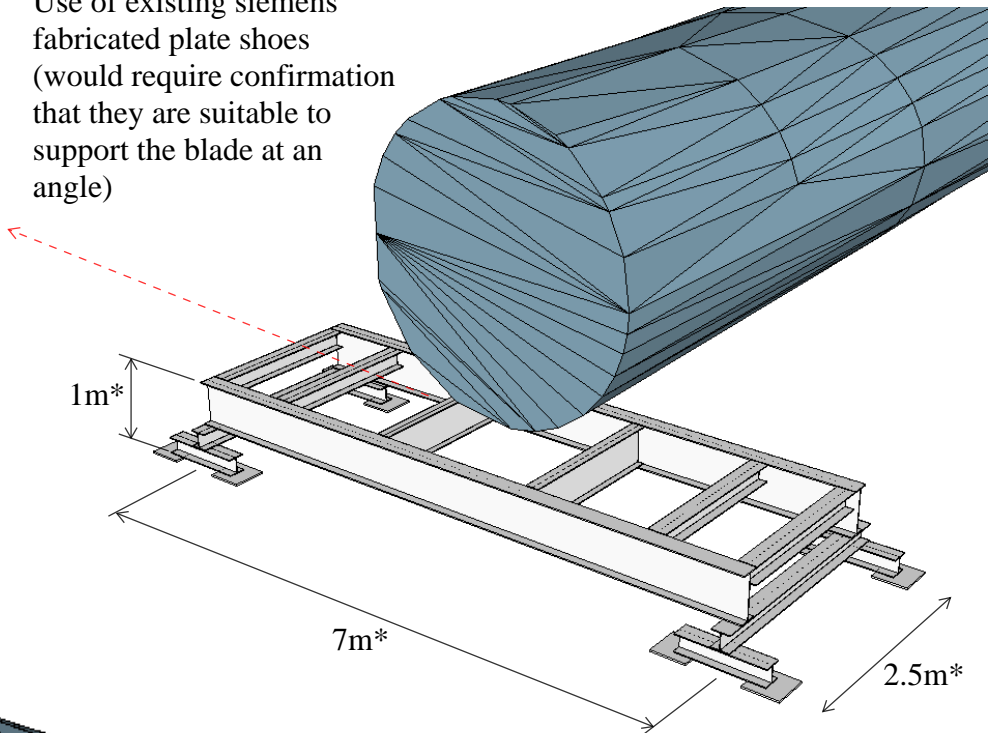


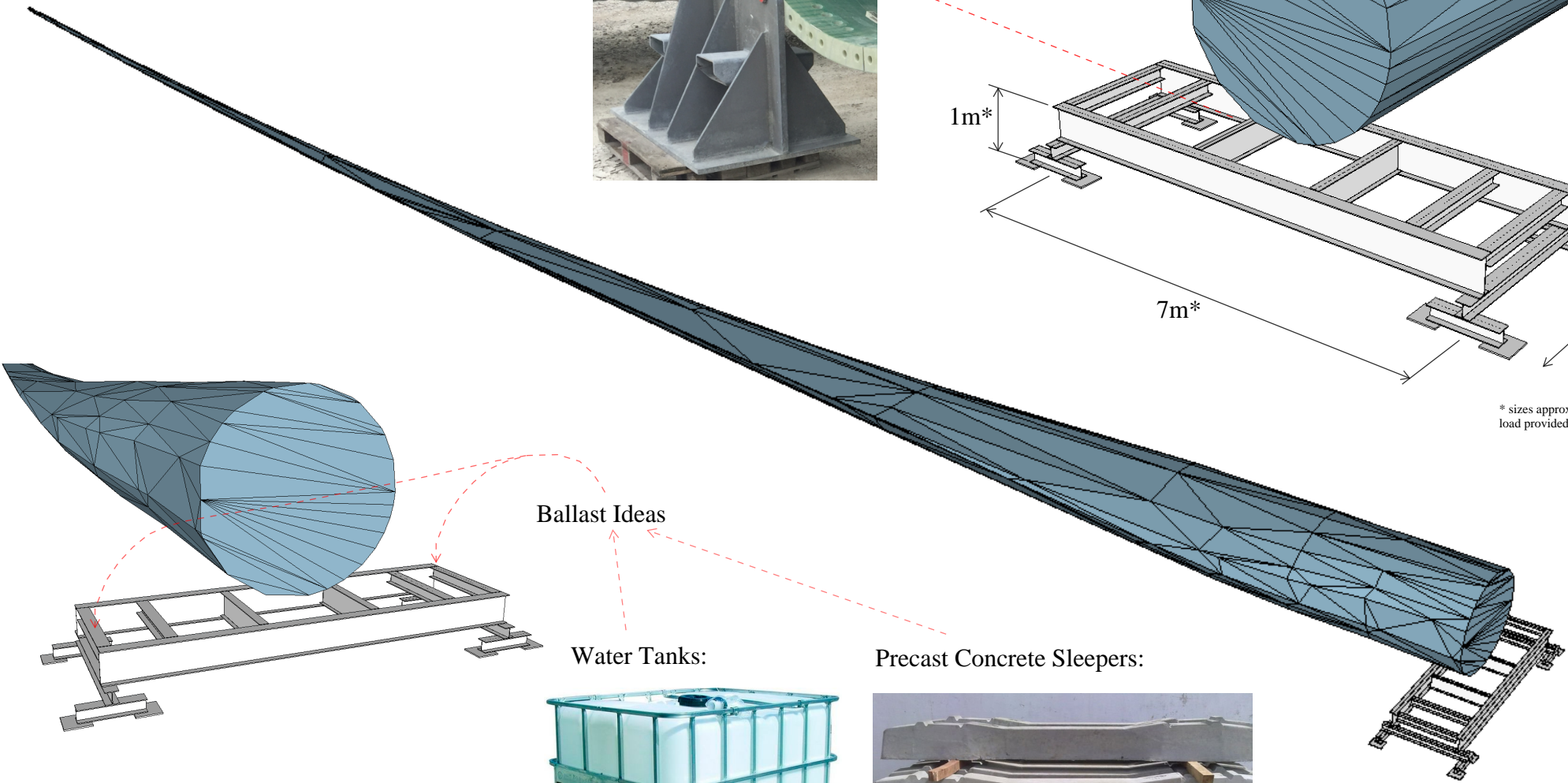
# Root Support Feasibility



Use of existing siemens fabricated plate shoes (would require confirmation that they are suitable to support the blade at an angle)



\* sizes approximate until wind load provided by Siemens



Ballast Ideas

Water Tanks:

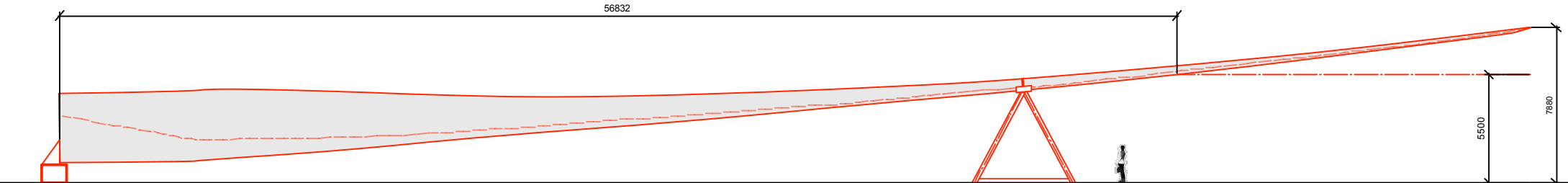


Precast Concrete Sleepers:



Route Support Concrete Foundation Option:  
7.5m x 2.7m x 0.5m

# Tip Support Feasibility



Siemens clamp used to hold blade in position:



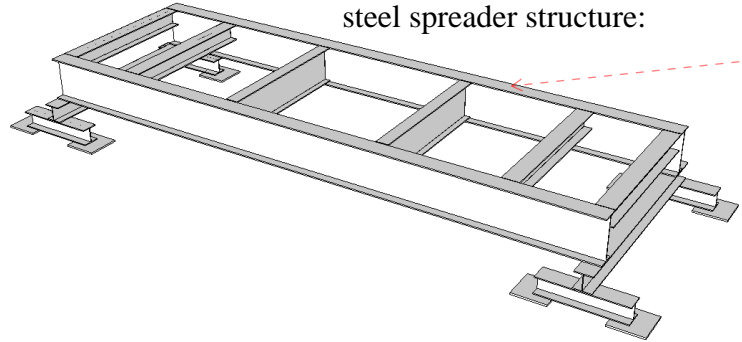
Existing connection detailed copied to connect clamp to tripod:



Steel tripod structure:  
 - support off spreader structure.  
 - clamp used to hold blade.



Tripod supported off steel spreader structure:



Tip Support Concrete Foundation Option:  
 7.6m x 5m x 0.6m