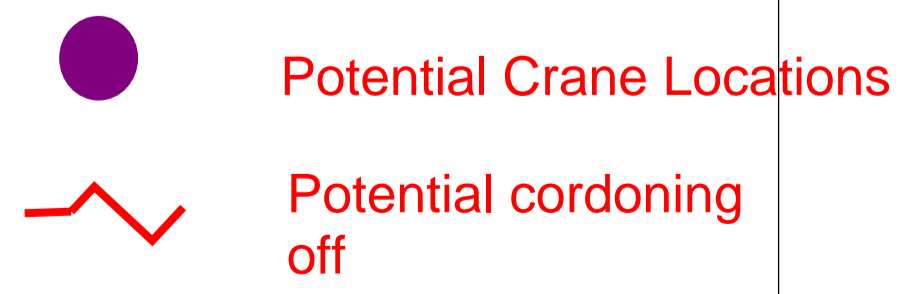
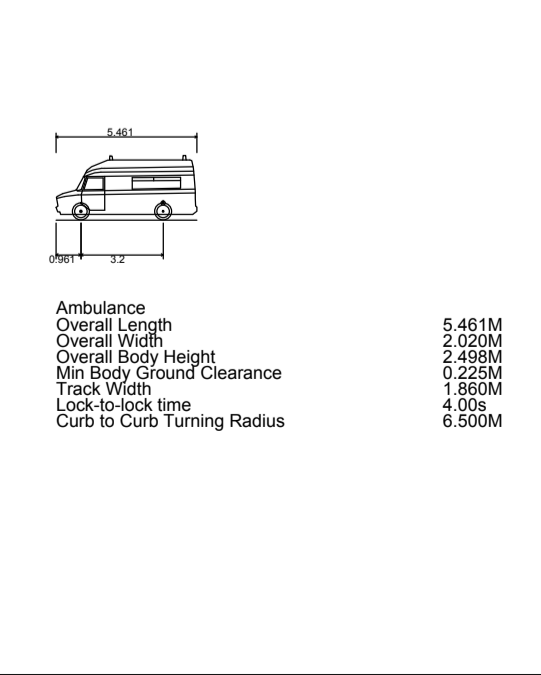
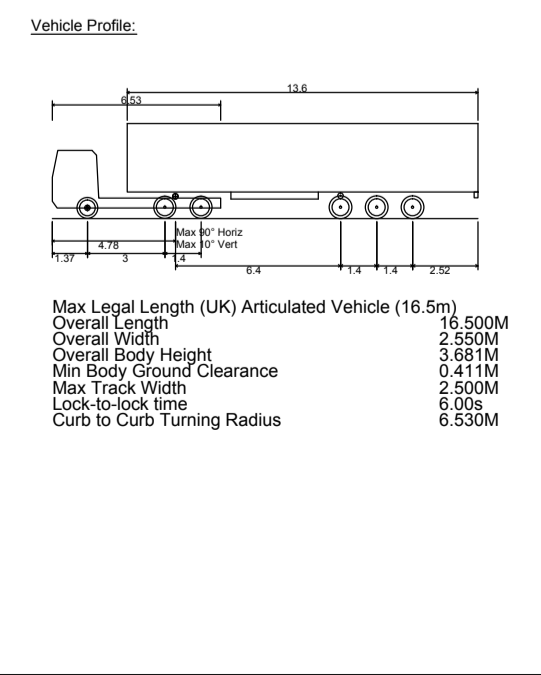
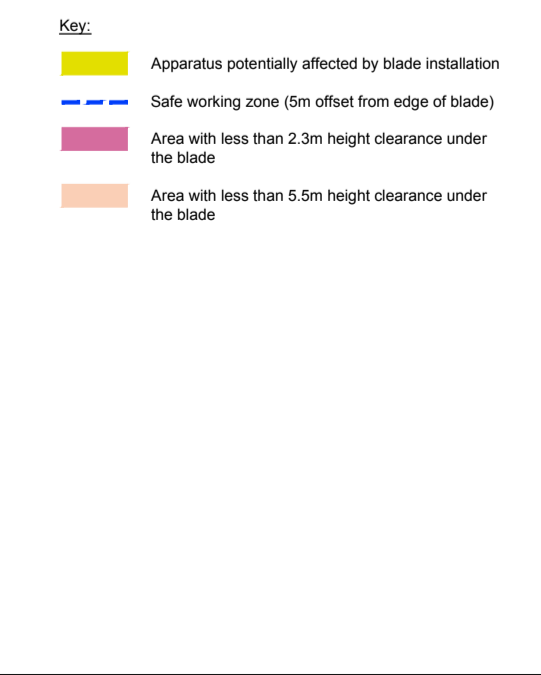


Notes:

- Preliminary layout subject to detailed design including full CDM compliance, progress of Public Realm works and Local Authority approval.
- Two way bus services to continue to operate along Carr Lane. Bus gates to be implemented at locations indicated.
- Area shown to have less than 5.5m height clearance under the blade is measured from 50.07m from the edge of the blade at "top" end. See Nayon Kulkarni drawing ZYR-LOC-B (dated 28/06/2016).

Background drawing:

- Area 12 - Queen Victoria Square General Arrangement Plan (drawing no: RFM-12-DR-LA-0001 Rev. C3)
- NK-QUESTION-060716-1
- Area 12 Planning Works (doc. ref: Hull CCPR-PHAS-06)



ISSUED FOR DISCUSSION PURPOSES

A	22/07/16	JH	RB	RB
First issue				
Issue	Date	By	Chkd	Appd

Client
Hull UK City of Culture 2017

Job Title
Hull Zephyr

Drawing Title
Potential fencing arrangements within square- mixture of herras and pedestrian barriers

ARUP

Admiral House Rose Wharf
78 East Street Leeds LS9 8EE
Tel +44 (0)113 242 8498 Fax +44 (0)113 242 8573
www.arup.com

Scale at A1 1:250

Plot ID 48ADBCEE-76F3-4307-A482-96B8C966E314

Drawing Status
For information

Job No 249697	Drawing No 249697-SK-001	Issue A
-------------------------	------------------------------------	-------------------